

# GTE SYLVANIA

AIR SUSPENSION SPEAKER

MODEL: GTE210

## FACTORY PREPARED TECHNICAL SERVICE DATA

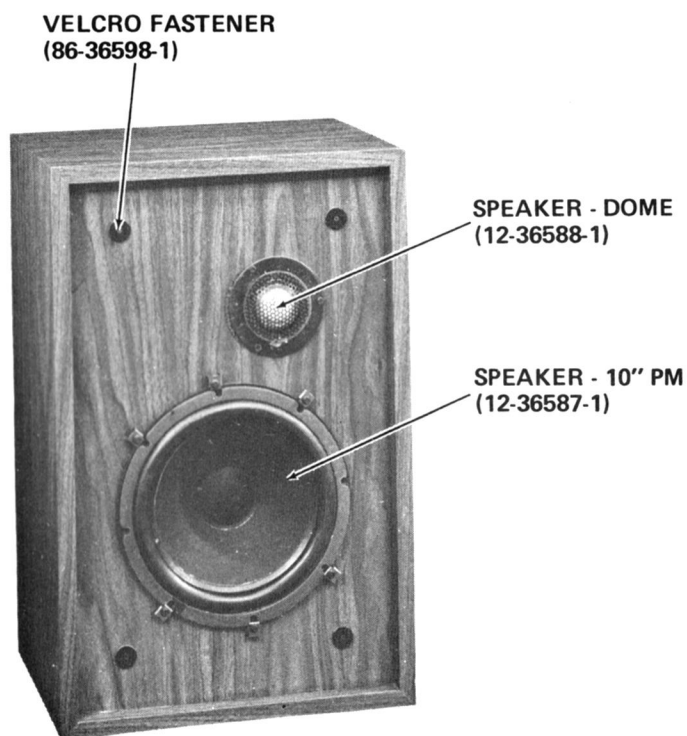
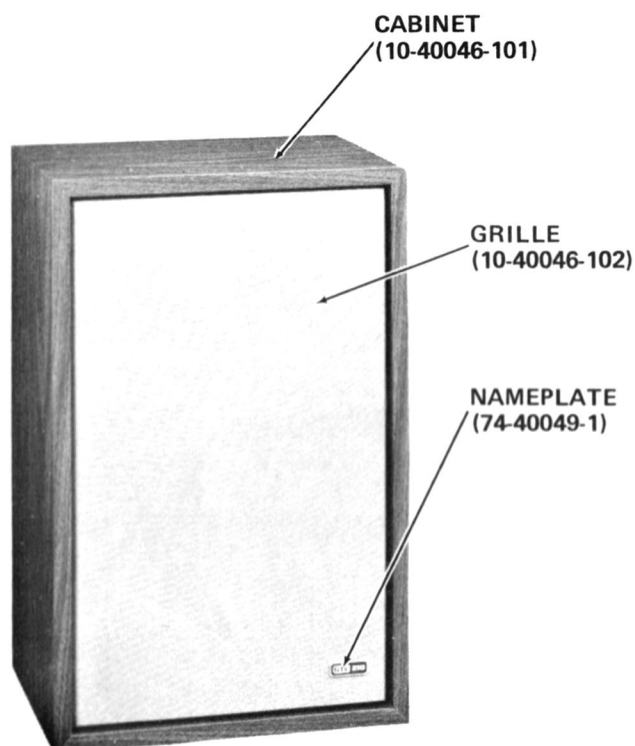
SERVICE PUBLICATIONS DEPARTMENT

Entertainment Products Group

700 Ellicott Street - Batavia, N.Y.

### — GTE210 —

MODEL: GTE210



MODEL: GTE210

### REMOVAL OF GRILLE ASSEMBLY AND SPEAKERS

Air Suspension Speaker systems require a complete seal around all openings. Exercise caution in removal and replacement of speakers to insure air-tight seal.

1. The grille assembly is secured to the speaker housing by eight (8) velcro fasteners not visible through the grille.
2. Carefully pull away grille over one velcro disc at a time.
3. Remove screws from speaker and lift from housing. Disconnect leads from speakers. Be sure to observe correct phasing when installing speakers. Speaker gaskets should be replaced if damaged.
4. To replace grille assembly, position grille correctly on baffle and press down firmly on each velcro disc.

### PERFORMANCE:

Nominal System Impedance  
Recommended Amplifier Power

Frequency Response  
System Resonance  
Crossover Frequency

8 ohms  
Amplifier rated up  
to 50W RMS  
30Hz - 15kHz,  $\pm 3$  dB  
40Hz  
1500Hz

**IMPORTANT:** Always use genuine Sylvania replacement parts and tubes.

(over)

MODEL: GTE210

REPLACEMENT PARTS LIST

DESCRIPTION

SERVICE PART NO.

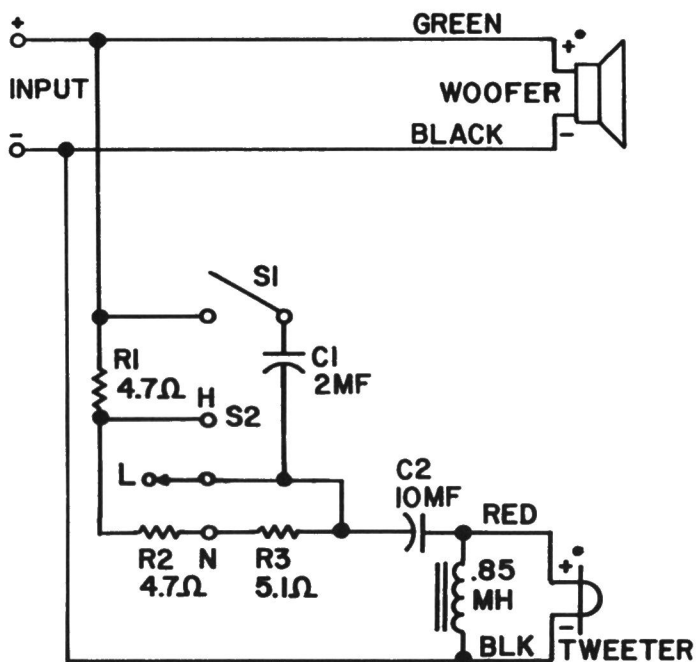
CABINET PARTS

Cabinet	10-40046-101
Cabinet - Grille	10-40046-102
Nameplate	74-40049-1
Speaker - Dome	12-36588-1
Speaker - Dome - Gasket	85-34831-1
Speaker - 10" PM	12-36587-1
Speaker - 10" PM - Gasket	85-32586-7
Velcro Fastener	86-36598-1

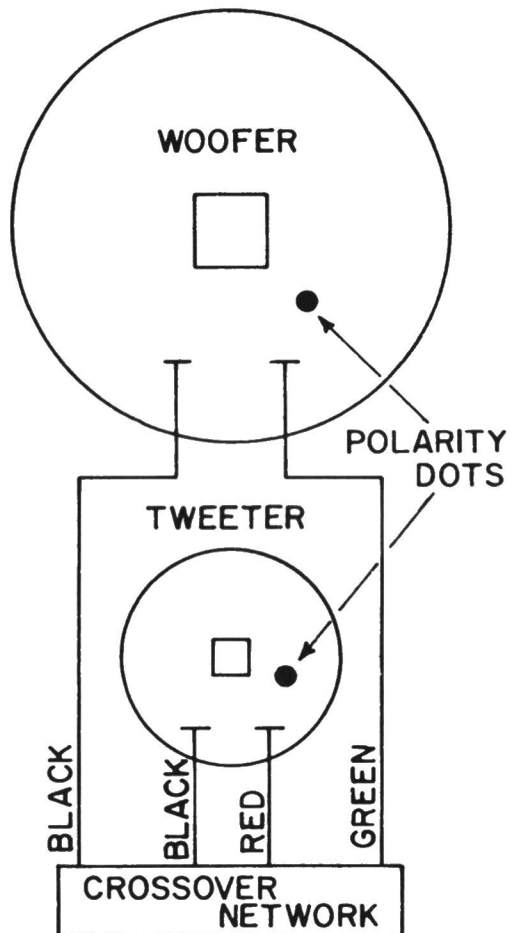
CROSSOVER NETWORK PARTS

Binding Post - BLACK	73-34447-1
Binding Post - RED	73-34447-3
Binding Post - Nut	73-34447-2
Board - Crossover	86-34817-4
Capacitor - 2MF/50V - C1	41-14304-12
Capacitor - 10MF/50V - C2	41-14304-13
Coil - .85MH - L1	56-14305-2
Resistor - 4.7 ohm, 10W - R1, R2	36-62455-17
Resistor - 5.1 ohm, 10W - R3	36-62455-18
Switch - Toggle - S1	33-28152-2
Switch - Toggle - S2	33-28152-1

SCHEMATIC DIAGRAM



WIRING DIAGRAM



NOTE:  
SHOWN AS VIEWED  
FROM REAR OF SPEAKERS.

CROSSOVER NETWORK

